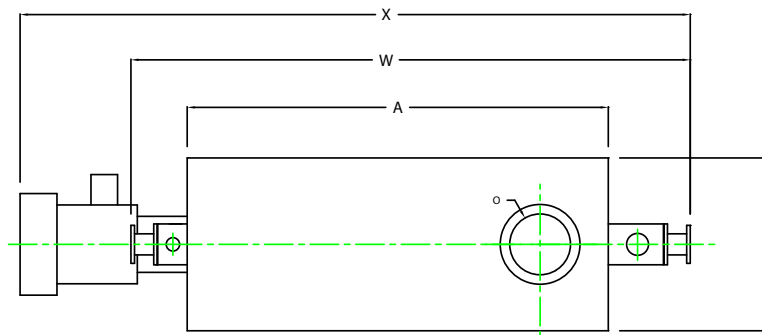
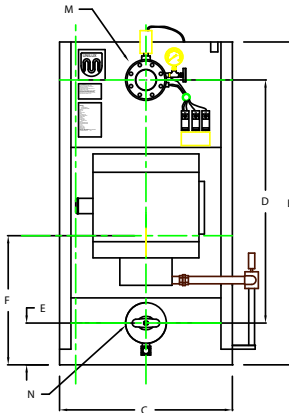


ZF0600W

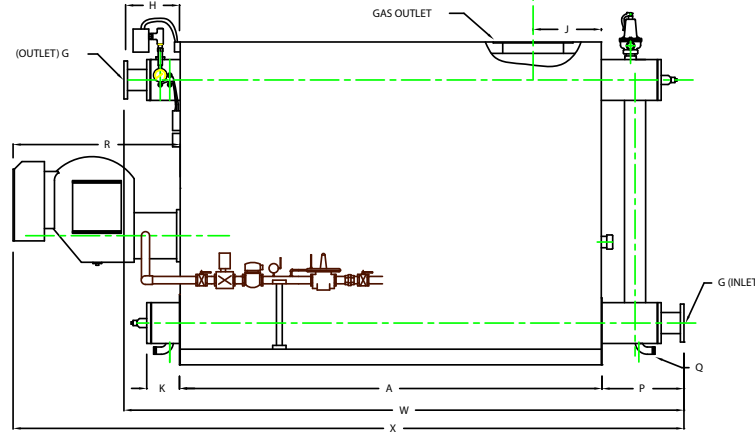


PLAN

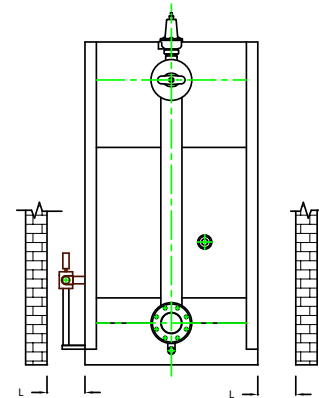
CHIMNEY FLANGE DIMS:
 O.D. = 21"
 I.D. = 16-1/4"
 B.C.D = 18-1/2"
 NO. OF HOLES = 8
 HOLE DIAMETER = 0.53"



FRONT VIEW



SIDE VIEW



REAR VIEW

BOILER MODEL - ZF600W		INCHES	METRIC
A	LENGTH OF BASE	111 1/4	2826
A1	LENGTH OF SUPPORT FROM BASE		
B	HEIGHT	85	2159
C	WIDTH OF BASE	45 1/2	1156
D	CTR. LOWER DRUM TO CTR. UPPER DRUM	64	1626
E	CENTER OF LOWER DRUM TO BOTTOM	11	279
F	CENTER OF BURNER OPENING TO BOTTOM	34	864
G	INLET / OUTLET FLANGE, CLASS 150	5	127
H	NOZZLE CLEARANCE FROM TOP, FRONT	14 1/4	362
J	CENTER OF FLUE GAS OUTLET TO REAR	18	457
K	DRUM CLEARANCE FROM BASE, FRONT	8 5/8	219
L	TUBE REMOVAL CLEARANCE FROM BASE	28	711
M	UPPER DRUM, OD, NPS	10 3/4	273
N	LOWER DRUM, OD, NPS	10 3/4	273
O	FLUE GAS OUTLET, ID	16	406
P	NOZZLE CLEARANCE FROM BASE, REAR	21 5/8	549
Q	BLOWDOWN, NPT	1 1/2	38
R	BURNER DIMENSION	44	1118
W	OVERALL BOILER LENGTH	147 1/8	3737
X	OVERALL BOILER LENGTH WITH BURNER	176 7/8	4493

NOTE: "X" DIMENSION MAY VARY BASED ON BURNER

NOTE: DIMENSIONS SUBJECT TO CHANGE WITHOUT NOTICE
 CONSULT FACTORY FOR CERTIFIED DIMENSIONS.

	UNILUX ADVANCED MFG., LLC 30 COMMERCE PARK DRIVE NISKAYUNA, NY 12059 Ph: (518) 344-7499 Fax: (518) 344-7495		
	<small>THIS DRAWING REMAINS A CONFIDENTIAL UNILUX PROPERTY. ALL RIGHTS FOR REPRODUCTION, MANUFACTURING OR PATENTS ARE RESERVED BY UNILUX UNLESS NOTED.</small>		
PROJECT:			
LOCATION:			
Model Sizes ZF 600W			
BURNER:			
ELECTRIC:			
SUPPLY PSI:			
Drawn By:	RIZ RACAZA	Date:	05AUG09
Checked By:	DAVID RAMSON	Date:	05AUG09
Drawing No.:	QB000000	Scale:	NTS
File No.:	JB000000	REV:	0