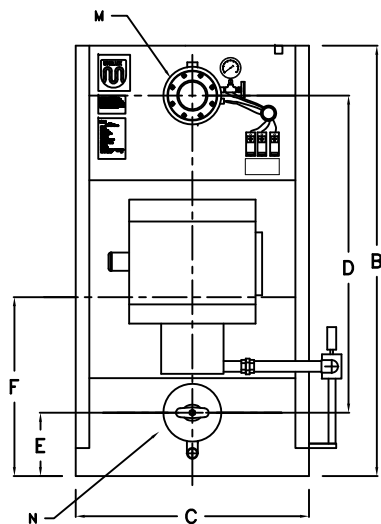
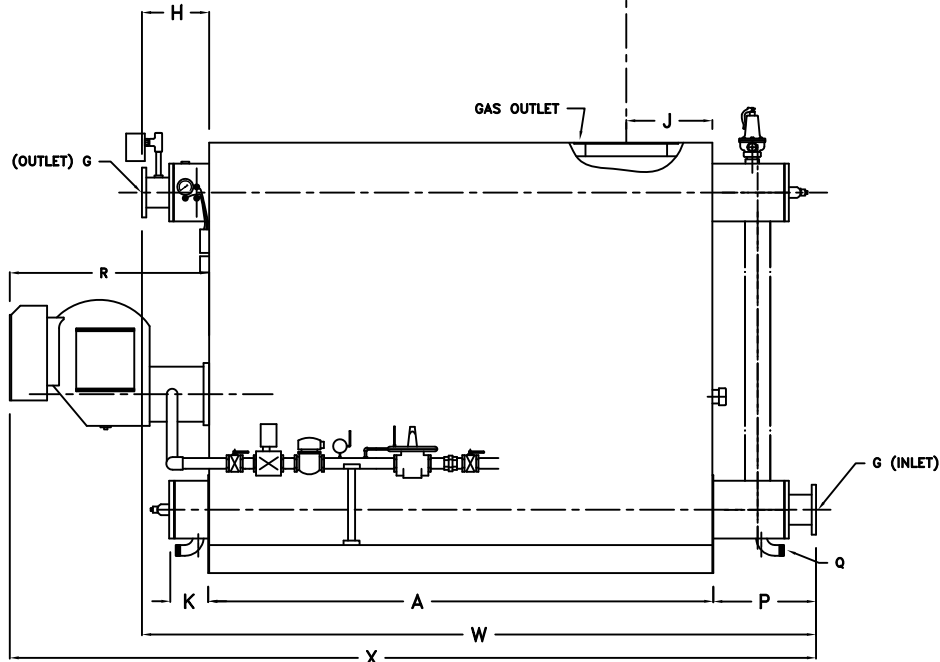


PLAN

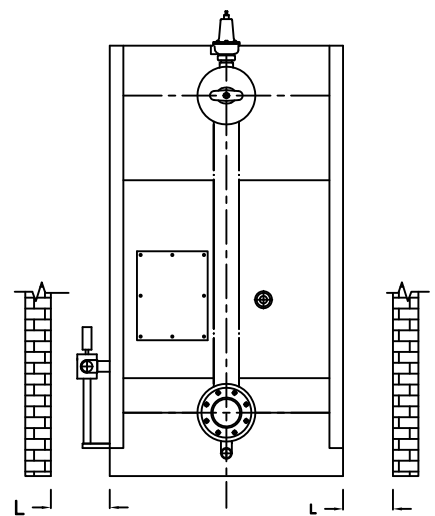
CHIMNEY FLANGE DIMS:
 O.D. = 23"
 I.D. = 18-1/4"
 B.C.D = 20-1/2"
 NO. OF HOLES = 8
 HOLE DIAMETER = 0.53"



FRONT VIEW



SIDE VIEW



REAR VIEW

BOILER MODEL -- ZF800W		INCHES	METRIC
A	LENGTH OF BASE	111 1/2	2832.1
A1	LENGTH OF SUPPORT FROM BASE	-	-
B	HEIGHT	95	2413
C	WIDTH OF BASE	51 1/2	1308
D	CTR. LOWER DRUM TO CTR. UPPER DRUM	70	1778
E	CENTER OF LOWER DRUM TO BOTTOM	14	356
F	CENTER OF BURNER OPENING TO BOTTOM	39 1/2	1003
G	INLET / OUTLET FLANGE. CLASS 150	6	152
H	NOZZLE CLEARANCE FROM TOP, FRONT	14 1/4	362
J	CENTER OF FLUE GAS OUTLET TO REAR	19	483
K	DRUM CLEARANCE FROM BASE, FRONT	8 5/8	219
L	TUBE REMOVAL CLEARANCE FROM BASE	34	864
M	UPPER DRUM OD, NPS	12 3/4	324
N	LOWER DRUM OD, NPS	12 3/4	324
O	FLUE GAS OUTLET, ID	18	457
P	NOZZLE CLEARANCE FROM BASE, REAR	22 5/8	575
Q	BLOWDOWN, NPT	2	51
R	BURNER DIMENSION	TBD	-
W	OVERALL BOILER LENGTH	150 1/2	3823
X	OVERALL BOILER LENGTH WITH BURNER	TBD	-

NOTE: 1) BOILER SIDE MUST NOT BE OBSTRUCTED WITH ANY PIPING OR PERMANENT OBJECTS FOR TUBE REMOVAL. SEE TUBE REMOVAL CLEARANCE DIMENSIONS.
 2) DIMENSIONS SUBJECT TO CHANGE WITHOUT NOTICE CONSULT FACTORY FOR CERTIFIED DIMENSIONS.

UNILUX ADVANCED MFG., LLC
 30 COMMERCE PARK DRIVE
 NISKAYUNA, NEW YORK, 12309
 Ph: (518) 344-7490 Fax: (518) 344-7495

THIS DRAWING EMPHOSES A CONFIDENTIAL, PROPRIETARY DESIGN. ALL RIGHTS FOR REPRODUCTION, MANUFACTURING OR PATENTS ARE RESERVED BY UNILUX BOILER CORP.

PROJECT:	
LOCATION:	
Model Sizes	ZF 700W
BURNER	
ELECTRIC	
SUPPLY PSI	
Drawn By :	Date :
Checked By :	Date :
Drawing No. :	Scale :
File No. :	REV.: 00